



Stourdale Road  
Cradley Heath  
West Midlands  
B64 7BG

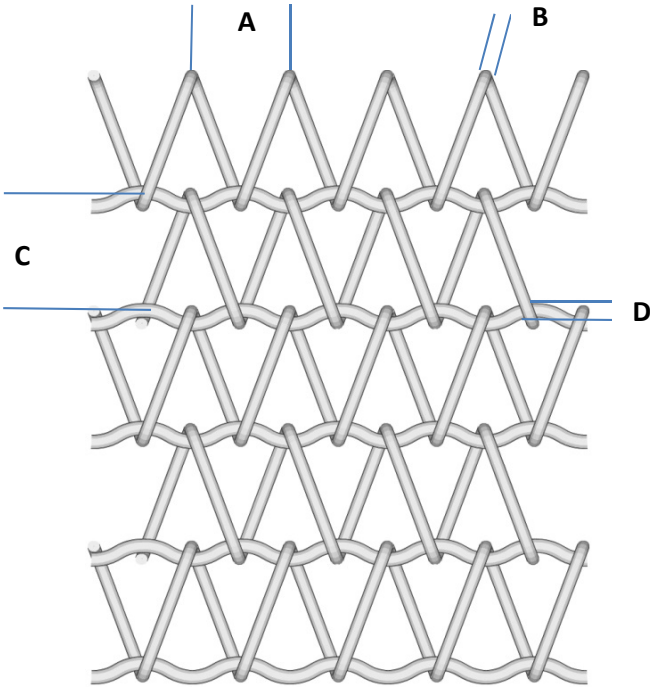
Tel: +44(0)1384 411991  
Fax: +44(0)1384 410999  
www.davieswovenwire.co.uk  
sales@davieswovenwire.co.uk

**Davies Woven Wire Ltd**

Registered in England & Wales 347 2100 VAT No. 705 3969 21



## Scissor Lift Safety Curtain



(Mesh to scale if this document printed A4)

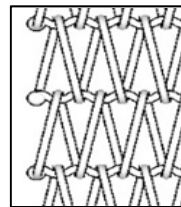
Scissor lift safety screen standard mesh

**BS-W 24-16-20-16**

**Balanced spiral 12.7-1.6-15.24-1.6mm**

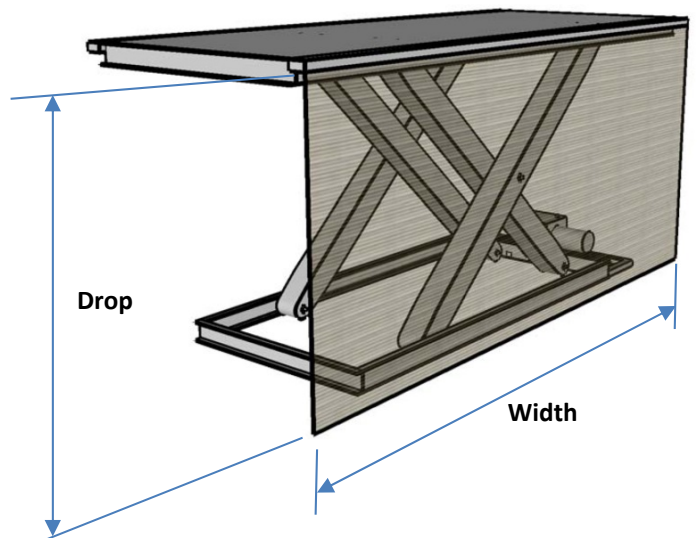
(Other specifications available on request)

### Selvedge (Edge Finish)



**Welded**

### Dimension Example



### Specification Details (If different from standard)

A	B	C	D
Lateral Pitch	Spiral Wire Diameter	Longitudinal Pitch	Crimp Wire Diameter
Screen Dimensions			
L	Length/Drop		
W	Width		
Material			