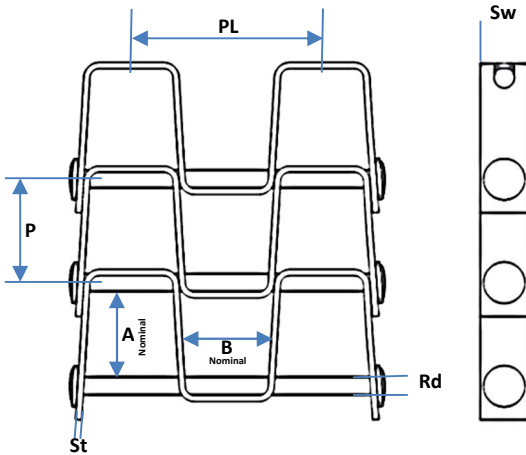
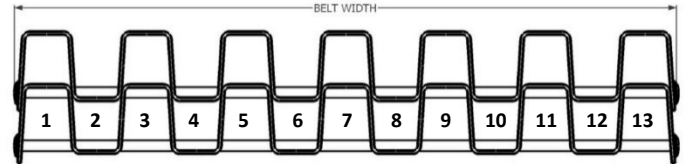




Honeycomb Belt



Direction Of Travel ↑



Checking Specification

To get a more accurate dimensions measure over as many pitches down the length as possible.

Example: 9" (228.6mm) = 8 Pitches
then Longitudinal pitch = 1.125" (28.58mm)

Selvedge (Edge Finish)

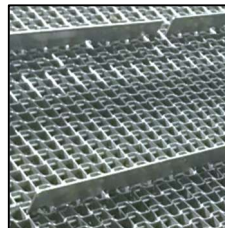


Welded



Clinched

Options



Crossflight

Standard Range

Belt Reference	Nominal Dimensions Inches – (mm) A x B x W x T/D	Longitudinal Pitch P	Lateral Pitch PL	Strip Width Sw	Strip Thickness St	Cross Rod Diameter Rd
1081A	1/2 x 1/2 x 3/8 x 18/11 (12.7x12.7x9.52x1.2/3.0)	0.506 (12.85)	1.14 (28.95)	3/8 (9.52)	18swg (1.2)	11swg (3.0)
1081B	1/2 x 1/2 x 3/8 x 18/11 (12.7x12.7x9.52x1.2/3.0)	0.540 (13.72)	1.14 (28.95)	3/8 (9.52)	18swg (1.2)	11swg (3.0)
1082A	1 x 1/2 x 3/8 x 18/11 (25.4 x 12.7 x 9.52 x 1.2/3.0)	1.125 (28.58)	1.218 (30.91)	3/8 (9.52)	18swg (1.2)	11swg (3.0)
1082B	1 x 1/2 x 3/8 x 18/11 (25.4 x 12.7 x 9.52 x 1.2/3.0)	1.084 (27.53)	1.198 (30.43)	3/8 (9.52)	18swg (1.2)	11swg (3.0)
1082C	1 x 1/2 x 3/8 x 18/11 (25.4 x 12.7 x 9.52 x 1.2/3.0)	1.062 (26.97)	1.198 (30.43)	3/8 (9.52)	18swg (1.2)	11swg (3.0)
1083	1 x 1 x 3/8 x 18/11 (25.4 x 25.4 x 9.52 x 1.2/3.0)	1.125 (28.58)	2.62 (52.37)	3/8 (9.52)	18swg (1.2)	11swg (3.0)
1084A	1 x 1/2 x 1/2 x 16/6 (25.4 x 12.7 x 12.7 x 1.63/4.88)	1.062 (26.97)	1.4 (35.56)	1/2 (12.7)	16swg (1.63)	6swg (4.88)
1084B	1 x 1 x 1/2 x 16/6 (25.4 x 25.4 x 12.7 x 1.63/4.88)	1.062 (26.97)	2.0 (50.8)	1/2 (12.7)	16swg (1.63)	6swg (4.88)
1085	1 x 1 x 5/8 x 16/6 (25.4 x 25.4 x 15.87 x 1.63/4.88)	1.125 (28.58)	2.0 (50.8)	5/8 (15.87)	16swg (1.63)	6swg (4.88)
1086	1.5 x 1.5 x 5/8 x 16/6 (38.1 x 38.1 x 15.87 x 1.63/4.88)	1.5 (38.1)	3.0 (76.2)	5/8 (15.87)	16swg (1.63)	6swg (4.88)
1088	2 x 2 x 5/8 x 16/6 (50.8 x 50.8 x 15.87 x 1.63/4.88)	2.0 (50.8)	4.0 (101.6)	5/8 (15.87)	16swg (1.63)	6swg (4.88)
1090	3 x 3 x 5/8 x 16/6 (76.2 x 76.2 x 15.87 x 1.63/4.88)	3.0 (76.2)	6.0 (152.4)	5/8 (15.87)	16swg (1.63)	6swg (4.88)

Dimensions

Longitudinal Pitch	'P'	
Lateral Pitch	'PL'	
Strip Width	'Sw'	
Strip Thickness	'St'	
Rod Diameter	'Rd'	
Material		
Total Length of Belt		
Overall width of Belt		
Apertures	Across belt	
Selvedge	Edge Finish	